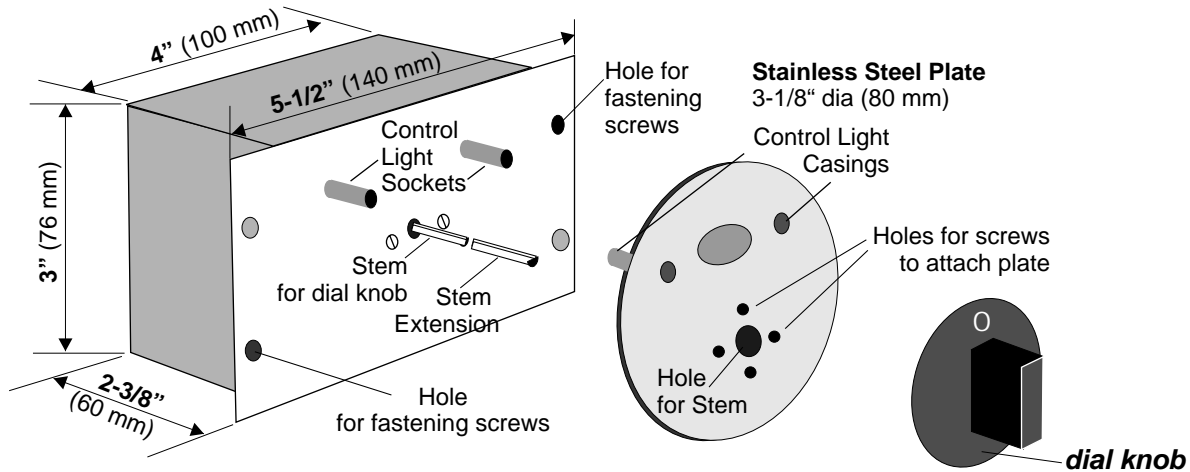
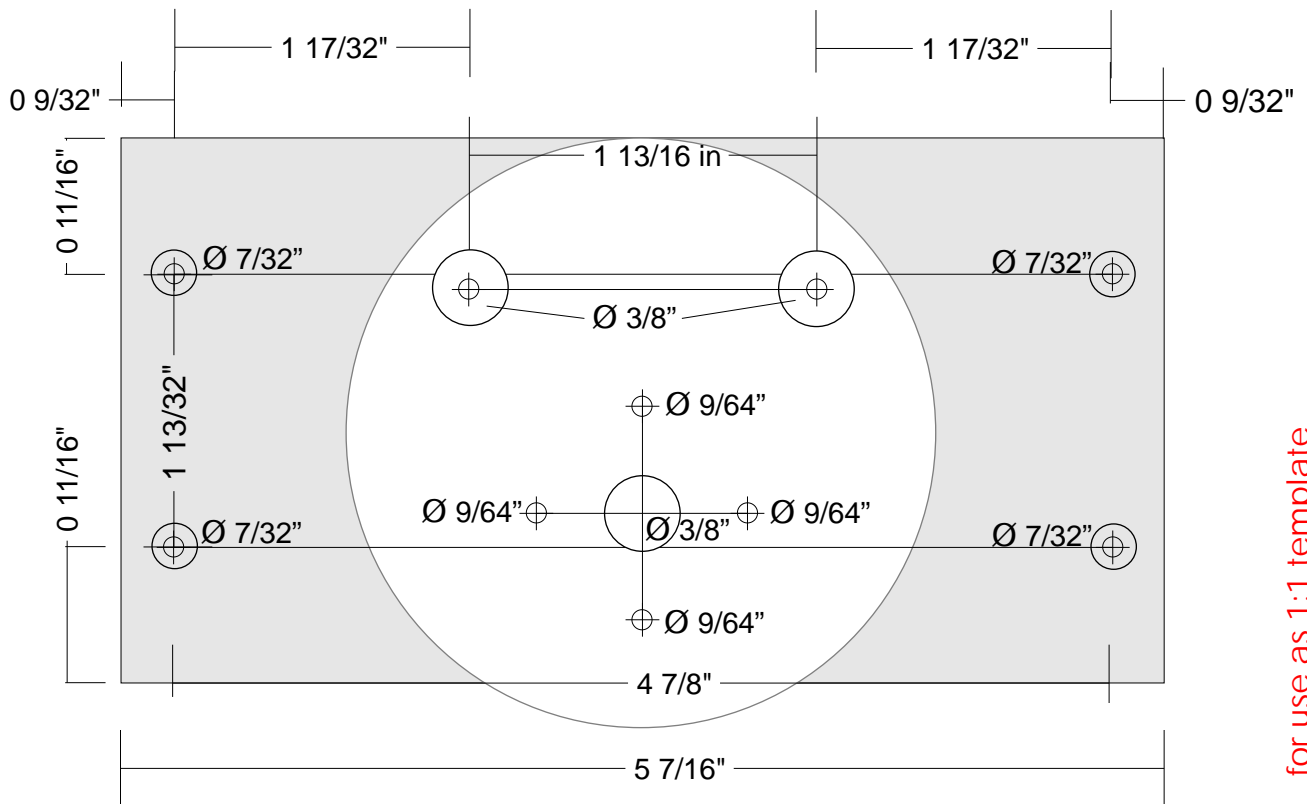


▶ CAUTION: DO NOT SNAP, PULL or TWIST THE CONDUIT DURING INSTALLATION !!!
Warranty will expire if capillary tube inside the conduit is damaged during installation.
Control box must be firmly fastened to a non-moving surface.



DIRECTIONS - IMPORTANT NOTE: Do not open up the control box or warranty expires!

1. Remove packaging and carefully detach the Dial Knob. Do not use force!
2. Unplug both control light casings from their sockets (hold socket with two fingers and gently pull with plate away from sockets). Slide the Steel Plate off the stem. Control light yellow and green casings stay in place.
3. Mark all necessary holes utilizing the provided template below. Drill holes and fasten box to the inside of cabinet with 2 screws.
4. Carefully pull light sockets out a little bit and re-connect with casings. Slide decorative plate into place and affix it with two small screws. ALTERNATIVELY, E. G. FOR GRANITE SURFACES, YOU CAN AFFIX THE PLATE WITH SILICONE ADHESIVE.
5. Connect the stem extension to stem if needed (packed with the nuts). Slide dial knob onto stem (match flat side of stem with flat side of centered receptacle on back of knob). Do not use force. The "0" has to be aligned below the center of CDS logo.



for use as 1:1 template
set "page scaling" to "none" when printing