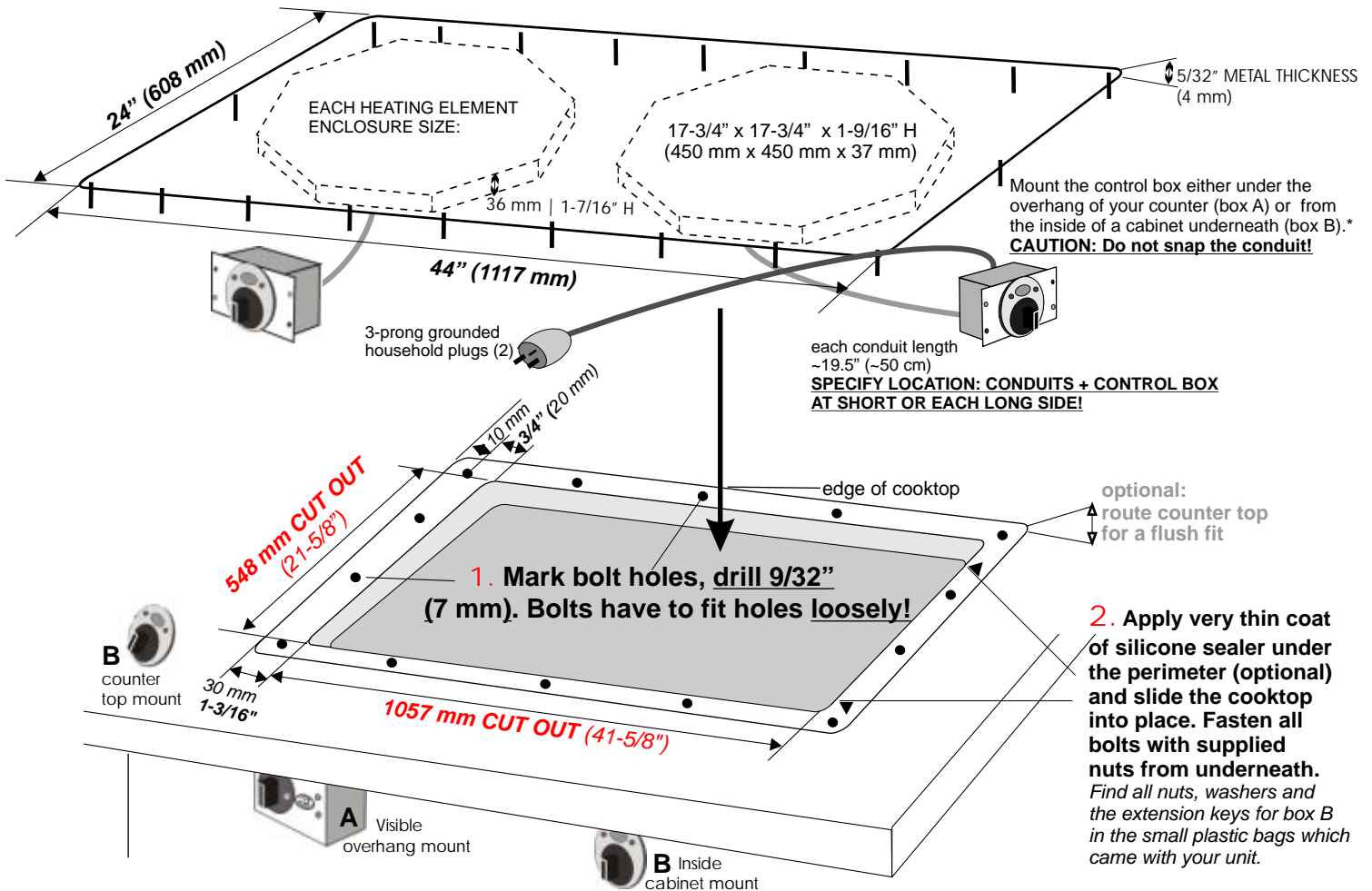


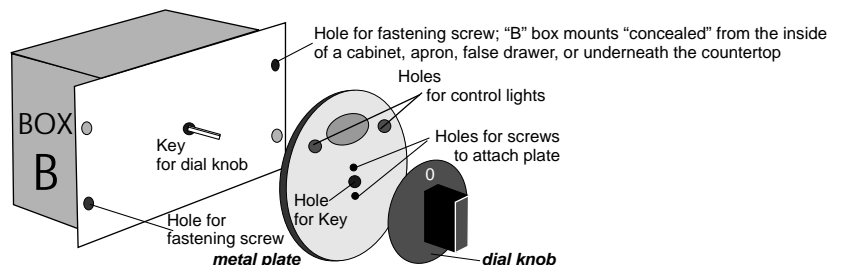
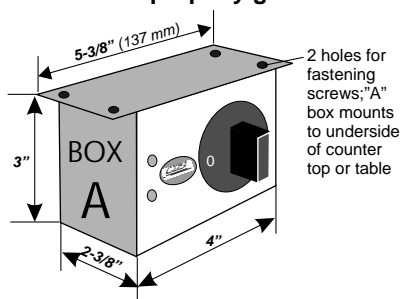
Cooktop size: 44" x 24" x 1-5/8" H (1117 mm x 608 mm x 41 mm) ▶ **CUT OUT 41-5/8" x 21-5/8"** (1057 mm x 548 mm)  
 Rating: 2 x 115V /1800 Watt, 15 AMP, 50-60 Hz, 1.8 kWh on 10 (or 230V/1800 Watt, 8 AMP ▶ check control box label)  
 Bolts are 1-3/4 inch (45 mm) long; bolt diameter is 3/16" Ø (5 mm) ▶ drill 9/32" Ø (7 mm)!!!

**IMPORTANT: DO NOT DRILL ANY HOLES BEFORE UNIT IS PHYSICALLY PRESENT! DO NOT CUT OFF THE BOLTS!**



▶ **CAUTION: DO NOT SNAP, PULL or TWIST THE CONDUIT DURING INSTALLATION !!!**  
 Warranty will expire if capillary tube inside the conduit is damaged during installation.  
 Control box must be firmly fastened to a non-moving surface.

**3. Mark all holes, drill and fasten the box with screws. Now connect the power cable to the rear of the control box and plug the other end into a properly grounded household power outlet with correct voltage. Check label on the control box!**



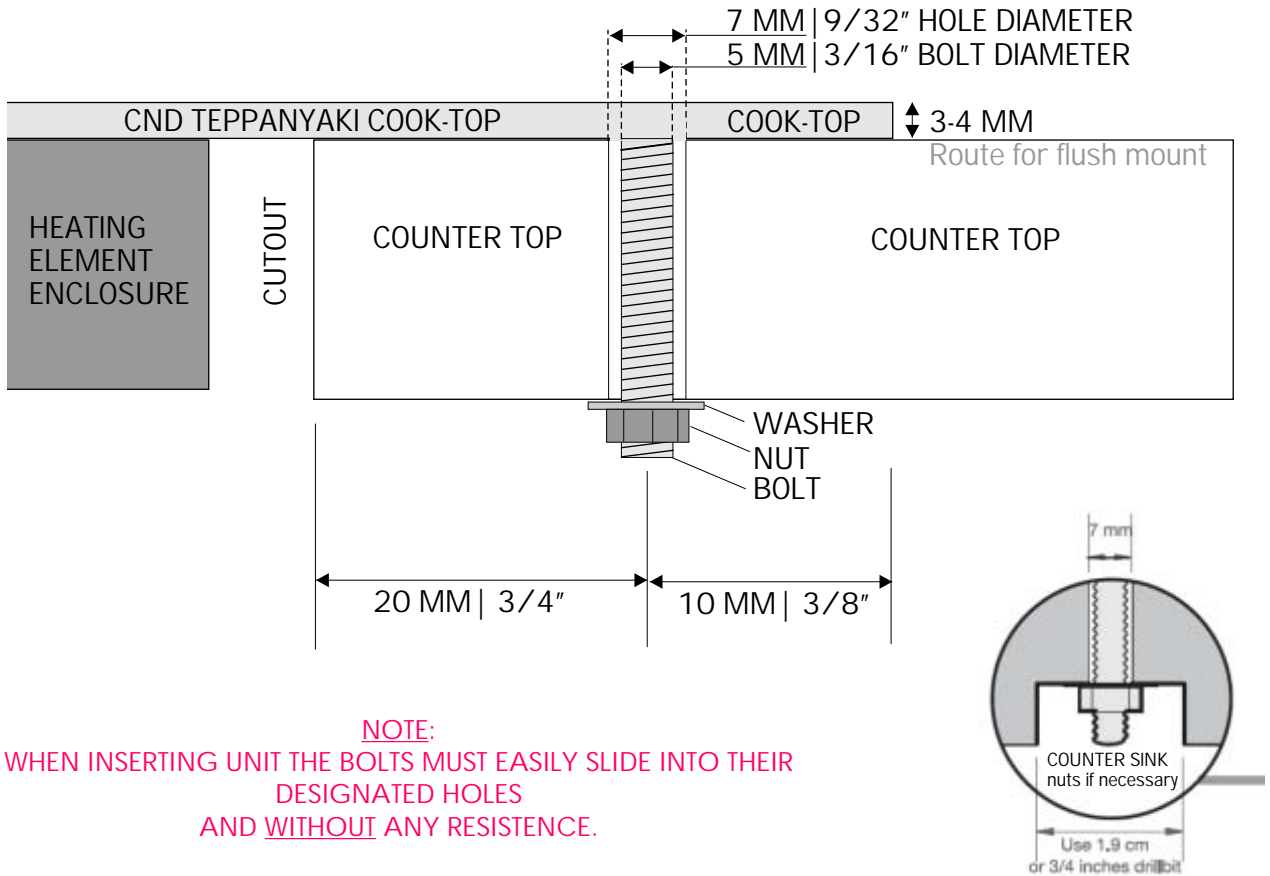
\* ▶ **SPECIFY WHEN ORDERING:**

if you plan A) open counter or table mounting, or B) concealed mounting ▶ see separate install sheet for Box B

**BOLT HOLE DETAIL**

Bolts are 1-3/4 inch (45 mm) long; bolt diameter is 3/16"Ø (5 mm) ▶▶ drill 9/32"Ø (7 mm)!!!

**IMPORTANT:**  
**DO NOT CUT OR DRILL ANY HOLES BEFORE UNIT IS PHYSICALLY PRESENT. DO NOT CUT OFF THE BOLTS!**



**NOTE:**  
**WHEN INSERTING UNIT THE BOLTS MUST EASILY SLIDE INTO THEIR DESIGNATED HOLES AND WITHOUT ANY RESISTENCE.**

**STONE COUNTER TOPS - ATTENTION:**

Please be reminded that the cook-top surface will flex slightly when switched on. This motion is intended and counteracted by the bolts which hold the unit in place. If you plan to install the Cook-N-Dine grill into a stone counter-top, please talk to your supplier/installer about it. Only an experienced stone professional will be able to advise on any installation aspects to watch out for, e.g. on how much counter-top "meat" is needed at the narrowest side to accommodate and secure the CND cook top unit properly.

**▶▶ CAUTION: DO NOT SNAP, PULL or TWIST THE CONDUIT DURING INSTALLATION !!!**  
**Warranty will expire if capillary tube inside the conduit is damaged during installation.**  
**Control box must be firmly fastened to a non-moving surface.**