

CND TEPPANYAKI GRILL SPECIFICATIONS

Size: L 67" x W 24" x H 1-5/8" (180 x 60.9 cm)

3 x 330 square inches HOT SPOT

**Total cooking area ~1200 sq/in incl. warming
INDOOR + OUTDOOR USE**

Material: Professional Food Grade Best Alloy German Stainless Steel type 304 (V2A) 5/32" thick (4 mm) cold pressed, hand-welded. Built-to-last. Silk-brushed finish.

Power: 3 x 1800 Watt | 1.8 kWh ea.
Electric: 115V | 50-60 Hz | 15 AMP/ea.
Warm-up time: 1.5 to 3 minutes
Cool-down time: 15 to 30 minutes
Analog temperature control:
1-10 dial | 2 indicator lights | thermostat
Contact Heat: 150°F to 430°F (65°-210°C)

5 Year ltd. Warranty. Electrical + electronic parts: 1 year limited manufacturers'.
CE/ GS/ VDE approved DE1-42293
All electrical + electronic Components: UL approved.

OPTIONS:

- control box "A" for open mount + outdoors
- control box "B" for concealed box mount

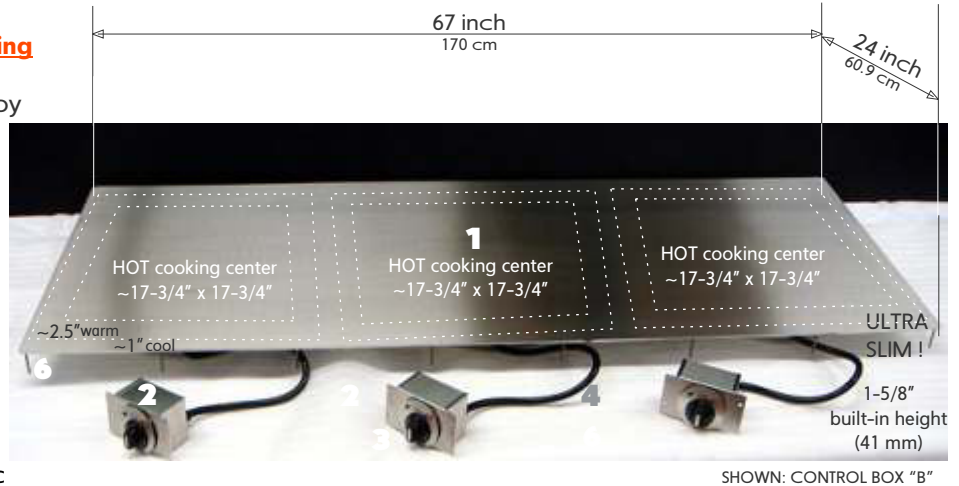
UPGRADES:

- ProStyle 2250 Watt Heating element 230V!
- Type 316 (V4A) stainless steel top
- Type 316 (V4A) stainless steel control box
- Type 304 or 316 heating element enclosure

MODEL IS 100% CUSTOM-MADE TO ORDER

Ship weight: ~ 220 lbs. | ~ 100 kg
Ship size: ~ 71" x 27-1/2" x 12"
~180 cm x 70 cm x 30 cm

PATENTED SHALLOW-DIP-TECHNOLOGY



THREE (3) SEPARATELY CONTROLLABLE BURNERS | 3 x 1800W



- 1 STAINLESS STEEL TEPPAN YAKI GRILL TOP
- 2 CONTROL BOX "B" for concealed mounting
- 3 BOX "B" front plate + dial knob
- 4 FLEXIBLE CONDUIT
- 5 CONTROL BOX "A" for open undermount
- 6 STAINLESS STEEL MOUNTING STUDS 1-3/4" 304 stainless steel washers + nuts included

3x 10 FT POWER CABLES included
COOKING GUIDE included



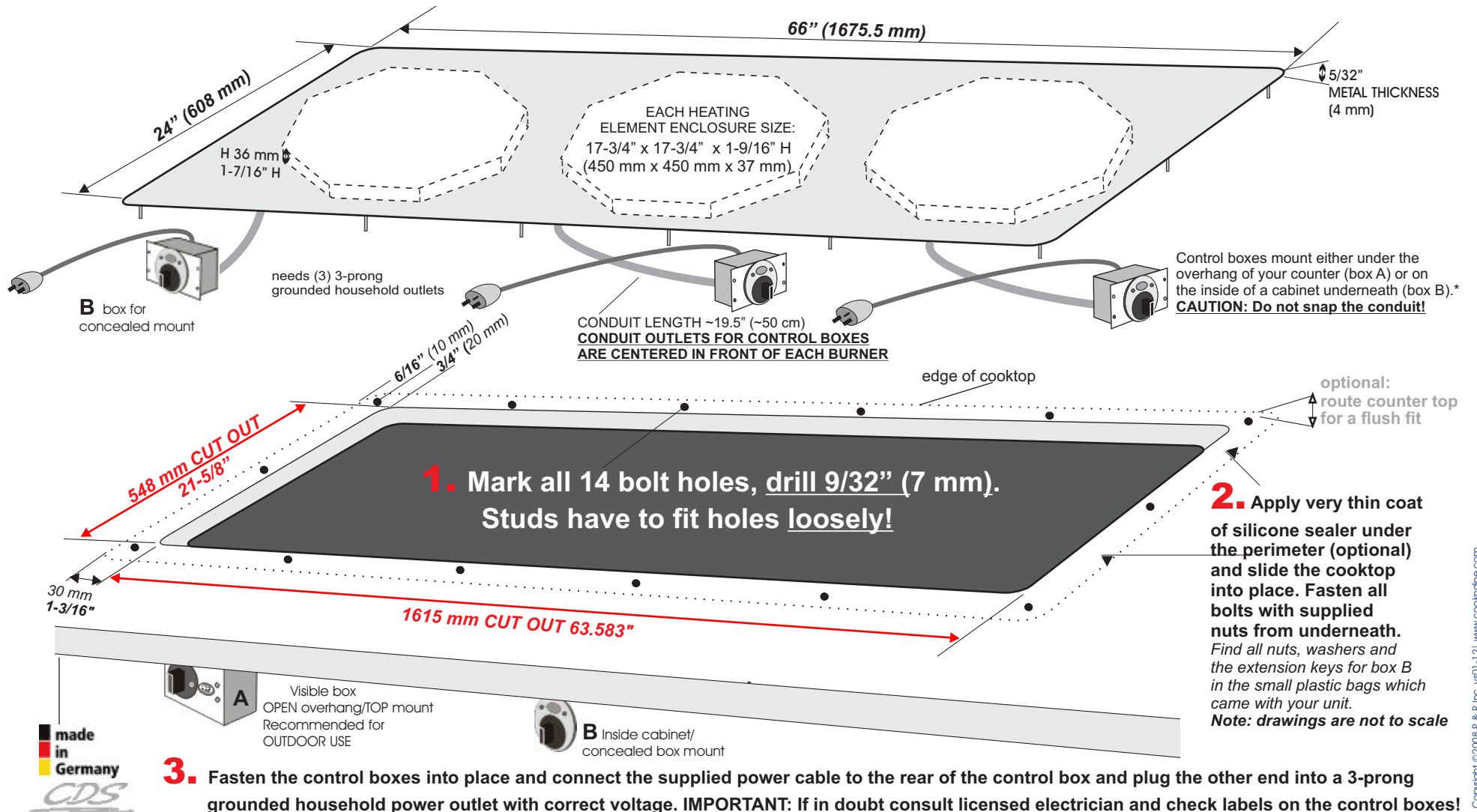
The manufacturer reserves the right to update, change, alter or discontinue any model without further notice.

Cooktop size: 66" x 24" x 1-5/8" H (1675.5 mm x 608 mm x 41 mm) ▶▶ **CUT OUT 63.583" x 21-5/8"** (1615 mm x 548 mm)

Rating: **3 x 115V** /1800 Watt, 15 AMP/ea., 50-60 Hz, 1.8 kWh/ea. on 10 (or 230V/1800 Watt, 8 AMP ▶▶ **check control box labels**)

14 Bolts, ea. 1-3/4 inch long (45 mm); bolt diameter is 3/16"Ø (5 mm) ▶▶ drill 9/32"Ø (7 mm)!!!

IMPORTANT: DO NOT DRILL ANY HOLES BEFORE UNIT IS PHYSICALLY PRESENT! DO NOT CUT OFF THE BOLTS/STUDS!



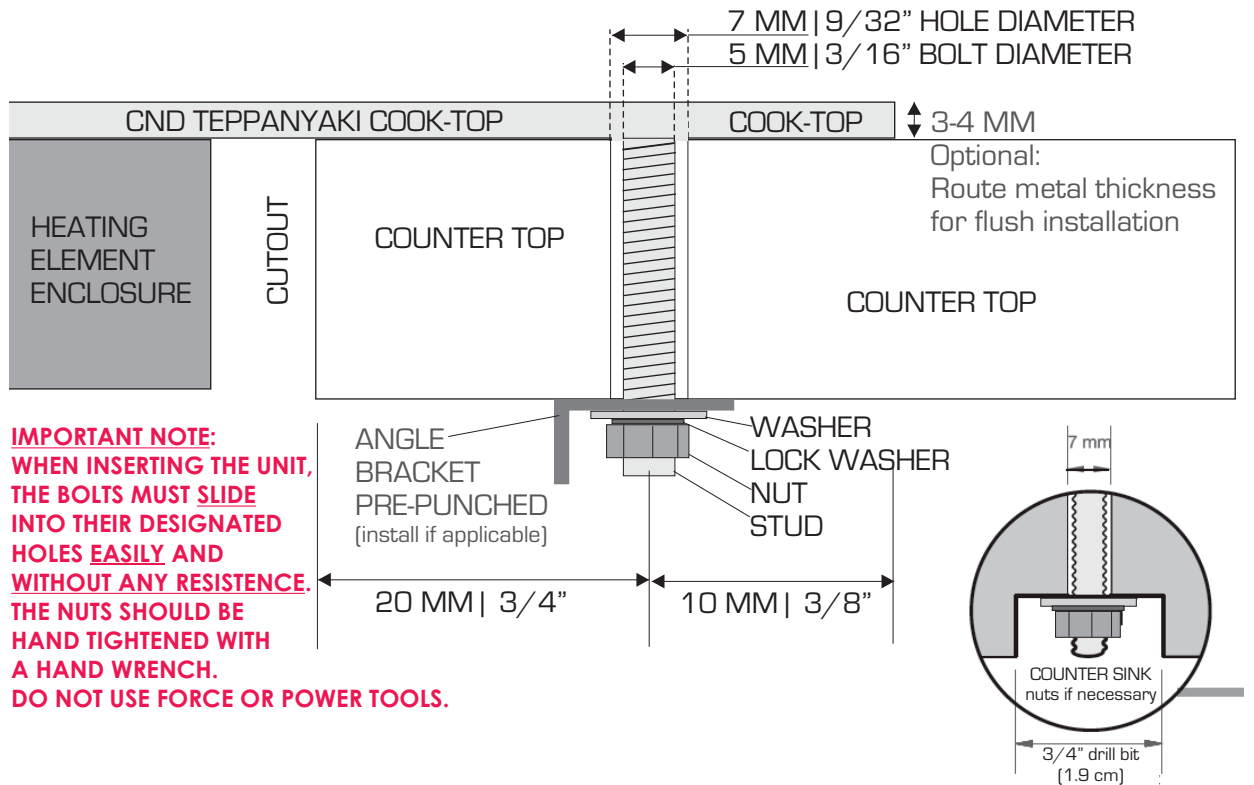
▶▶ **CAUTION: DO NOT SNAP, PULL or TWIST THE CONDUITS DURING INSTALLATION !!!**

Warranty will expire if capillary tube inside the conduit is damaged during installation. Control boxes must be firmly fastened to a non-moving surface.

BOLT HOLE DETAIL

Bolts are 1-3/4 inch (45 mm) long; bolt diameter is 3/16"Ø (5 mm) ▶▶ drill 9/32"Ø (7 mm)!!!

VERY IMPORTANT:
DO NOT CUT OR DRILL ANY HOLES BEFORE UNIT IS PHYSICALLY PRESENT. DO NOT CUT OFF THE BOLTS/STUDS!



➤ **ATTENTION!!! MUST READ: INSTALLATION INTO STONE COUNTER TOPS**

Please be reminded that the stainless steel grill surface will flex slightly when switched on. This motion is intended and is counteracted by the bolts, which hold the unit in place.

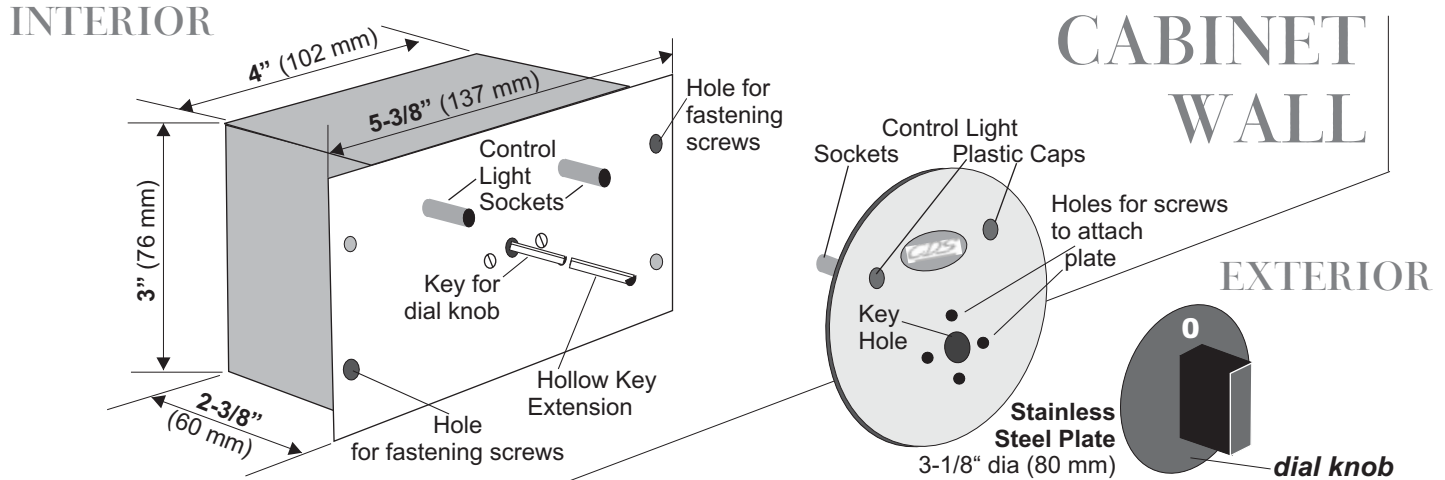
If you intend to install into a stone counter-top, please talk to your counter top supplier/installer about your plans. A stone professional will be able to advise you on any aspects to watch out for, e.g. on how much counter-top "meat" is needed at the narrowest point to accommodate and secure a Cook-N-Dine built-in properly. For porous or "brittle" stone RODDING is a professional business practice which reinforces the narrow strips of material whenever a large cutout is made (e.g. for sinks, stoves, cook tops). This will support and strengthen those areas and shall prevent potential damage.

Alternatively, installers need to consider using angle brackets (order separately) along the full length of the cutout (both long sides), insert and then fasten the unit through those brackets. That way any stress applied to the counter material should be evenly distributed.

Note: Make sure to have the unit and all install sheets on site for counter top templating.

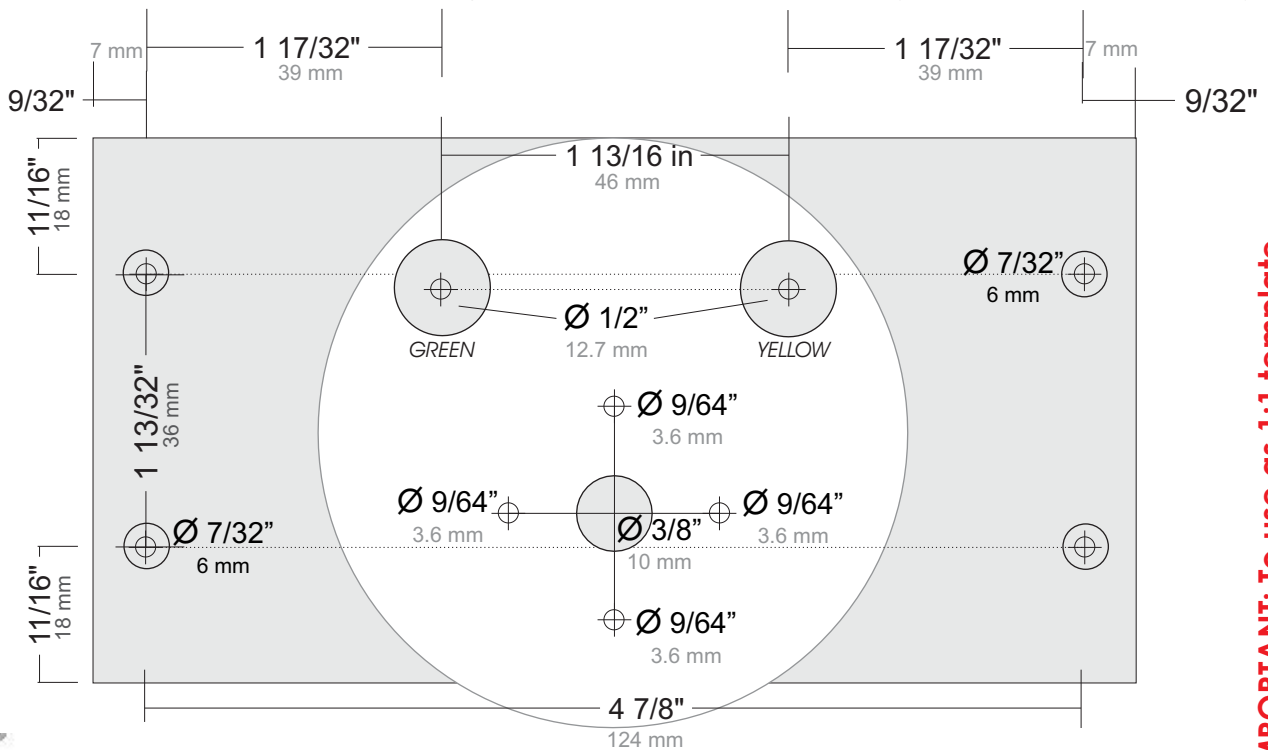
▶▶ **CAUTION: DO NOT SNAP, PULL or TWIST THE CONDUIT DURING INSTALLATION !!!**
Warranty will expire if capillary tube inside the conduit is damaged during installation.
Control box must be firmly fastened to a non-moving surface.

▶ CAUTION: DO NOT SNAP, PULL or TWIST THE CONDUIT DURING INSTALLATION !!!
Warranty will expire if capillary tube inside the conduit is damaged during installation.
Control box must be firmly fastened to a non-moving surface.



DIRECTIONS: **» VERY IMPORTANT NOTE: Do not open up the control box or will warranty expire!**

1. Remove packaging and carefully pull off the DIAL KNOB ONLY. Do not use force!
2. Unplug both control light caps from their sockets by wiggling the steel plate away including the yellow and green plastic caps (Hold socket with two fingers and gently pull plate away from sockets; Yellow and green CAPS STAY IN PLACE in the plate.)
3. Mark all necessary holes utilizing the provided template below. Drill holes and fasten box to the inside of cabinet with 2 screws.
4. Carefully pull light sockets out a bit and re-connect with casings. Slide decorative plate into place; affix with two small flathead screws. ALTERNATIVELY, E. G. FOR GRANITE SURFACES, YOU CAN AFFIX THE PLATE WITH SILICONE ADHESIVE.
5. Connect the stem extension to stem if needed (packed with the nuts + washers). Slide dial knob onto stem (match flat side of stem with flat side of centered receptacle at back of knob). Do not use force. The "0" has to be aligned below the center of CDS logo.



IMPORTANT: To use as 1:1 template set "page scaling" to "none" when printing