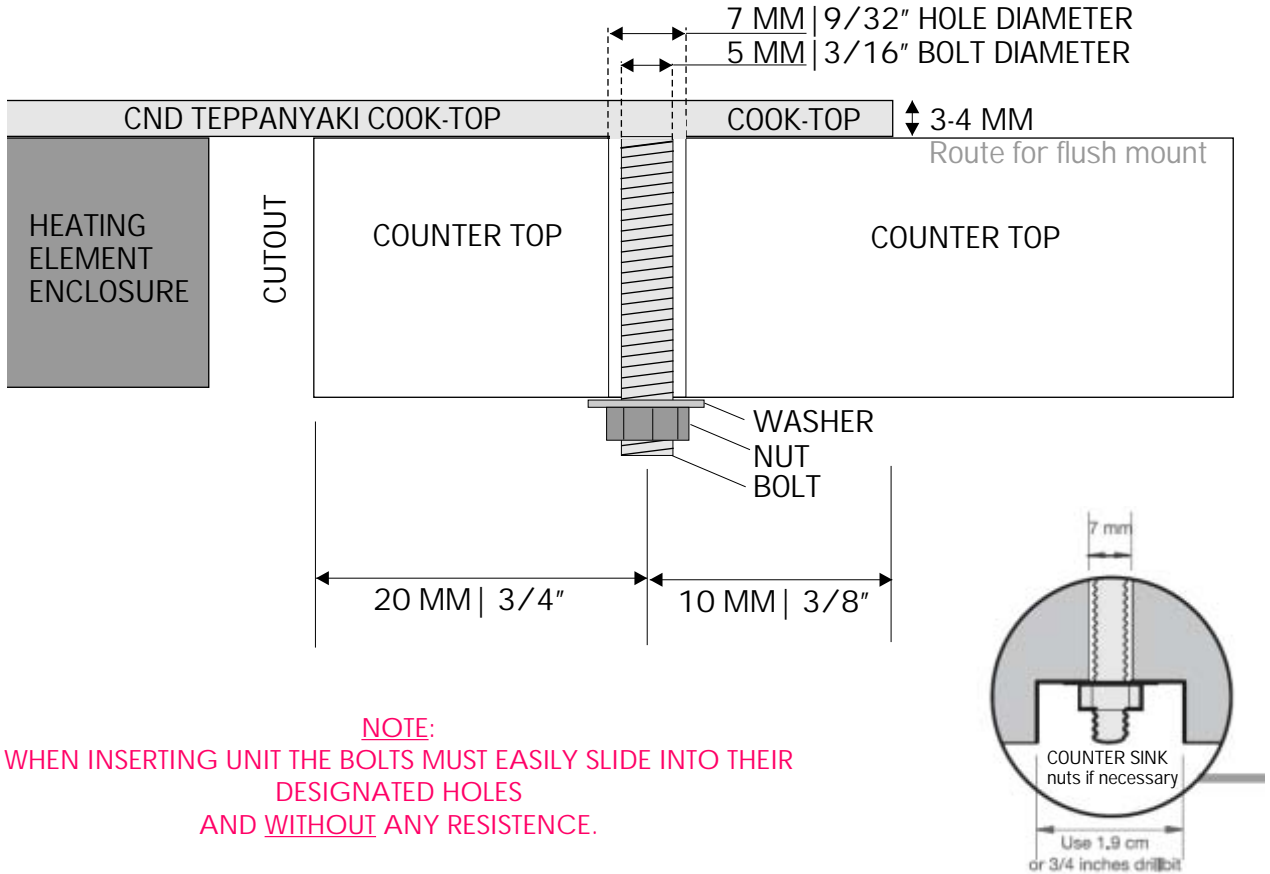


BOLT HOLE DETAIL

Bolts are 1-3/4 inch (45 mm) long; bolt diameter is 3/16"Ø (5 mm) ▶▶ drill 9/32"Ø (7 mm)!!!

IMPORTANT:

DO NOT CUT OR DRILL ANY HOLES BEFORE UNIT IS PHYSICALLY PRESENT. DO NOT CUT OFF THE BOLTS!



NOTE:

WHEN INSERTING UNIT THE BOLTS MUST EASILY SLIDE INTO THEIR DESIGNATED HOLES AND WITHOUT ANY RESISTENCE.

STONE COUNTER TOPS - ATTENTION:

Please be reminded that the cook-top surface will flex slightly when switched on. This motion is intended and counteracted by the bolts which hold the unit in place. If you plan to install the Cook-N-Dine grill into a stone counter-top, please talk to your supplier/installer about it. Only an experienced stone professional will be able to advise on any installation aspects to watch out for, e.g. on how much counter-top "meat" is needed at the narrowest side to accommodate and secure the CND cook top unit properly.

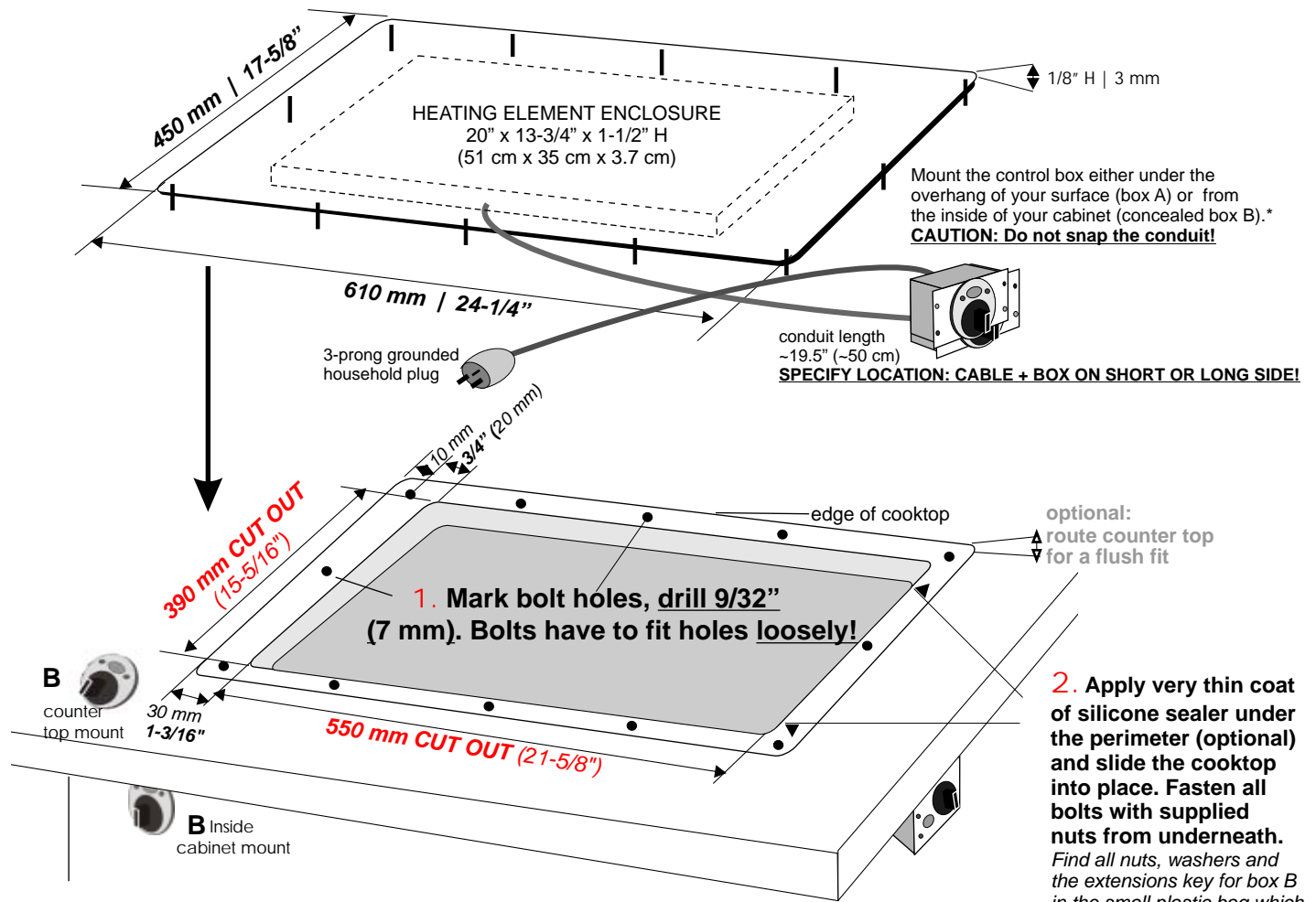
▶▶ CAUTION: DO NOT SNAP, PULL or TWIST THE CONDUIT DURING INSTALLATION !!!
Warranty will expire if capillary tube inside the conduit is damaged during installation.
Control box must be firmly fastened to a non-moving surface.

Size: 610 mm x 450 mm x 40 mm H (24-1/4" x 17-5/8" x 1-9/16" height)

Rating: 115V /1800 Watt, 15 AMP, 50-60 Hz ,1.8 kWh on 10 (or 230V/1800 Watt, 8 AMP ▶▶ check control box label)

Bolts are 1-3/4 inch (45 mm) long; bolt diameter is 3/16"Ø (5 mm) ▶▶ drill 9/32"Ø (7 mm)!!!

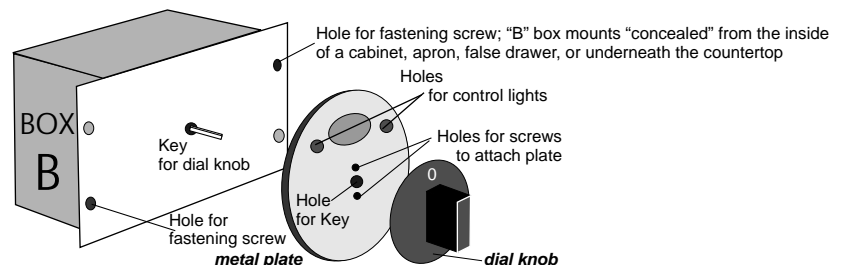
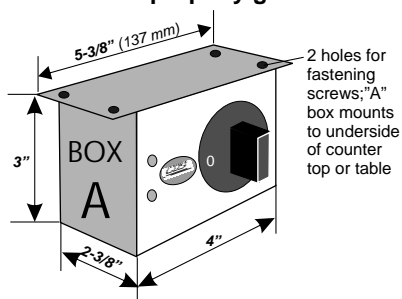
IMPORTANT: DO NOT DRILL ANY HOLES BEFORE UNIT IS PHYSICALLY PRESENT! DO NOT CUT OFF THE BOLTS!



▶▶ CAUTION: DO NOT SNAP, PULL or TWIST THE CONDUIT DURING INSTALLATION !!!
Warranty will expire if capillary tube inside the conduit is damaged during installation.
Control box must be firmly fastened to a non-moving surface.

Note: drawing is not to scale

3. Mark all holes, drill and fasten the box with screws. Now connect the power cable to the rear of the control box and plug the other end into a properly grounded household power outlet with correct voltage. Check label on the control box!



* ▶▶ **SPECIFY WHEN ORDERING:**

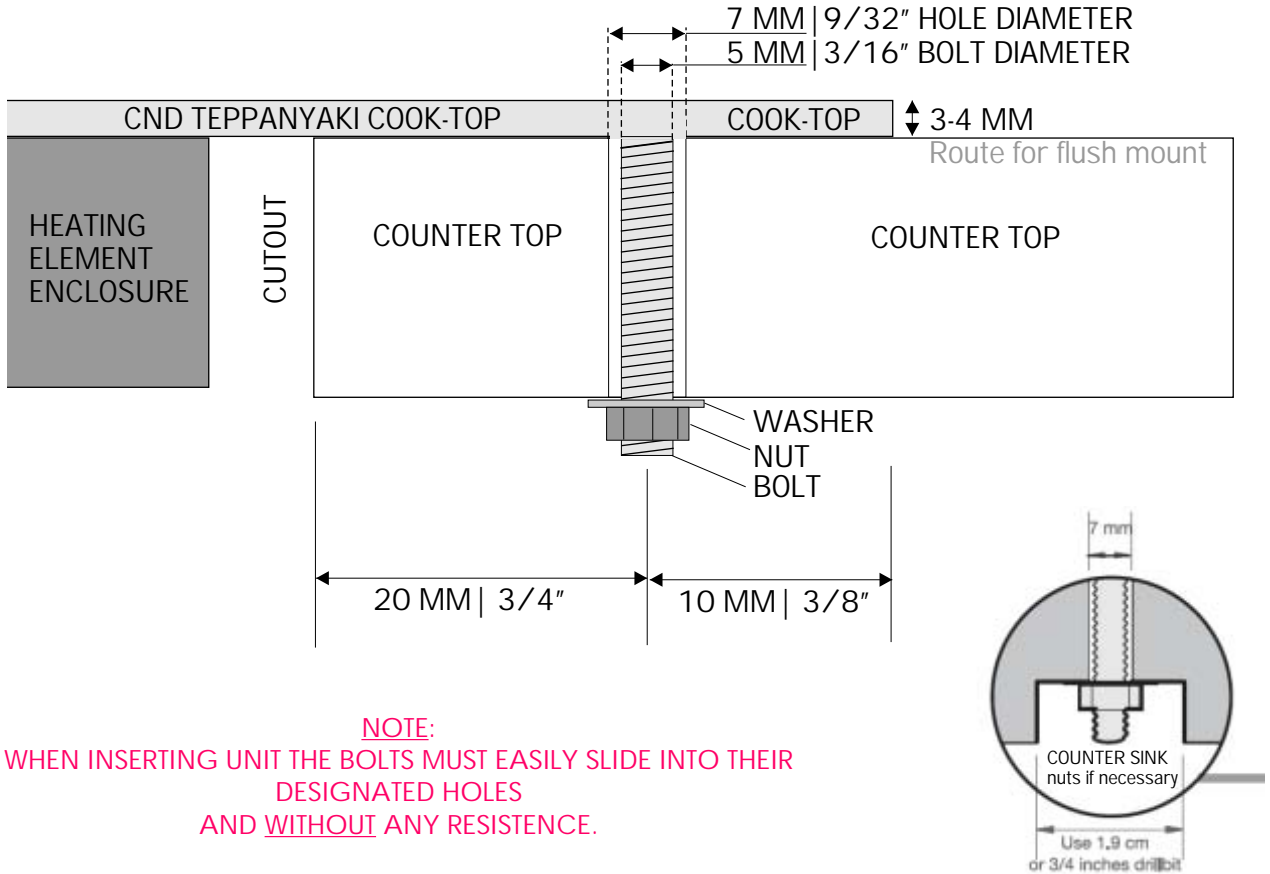
if you plan A) open counter or table mounting, or B) concealed mounting ▶▶ see separate install sheet for Box B

BOLT HOLE DETAIL

Bolts are 1-3/4 inch (45 mm) long; bolt diameter is 3/16"Ø (5 mm) ▶▶ drill 9/32"Ø (7 mm)!!!

IMPORTANT:

DO NOT CUT OR DRILL ANY HOLES BEFORE UNIT IS PHYSICALLY PRESENT. DO NOT CUT OFF THE BOLTS!



NOTE:

WHEN INSERTING UNIT THE BOLTS MUST EASILY SLIDE INTO THEIR DESIGNATED HOLES AND WITHOUT ANY RESISTENCE.

STONE COUNTER TOPS - ATTENTION:

Please be reminded that the cook-top surface will flex slightly when switched on. This motion is intended and counteracted by the bolts which hold the unit in place. If you plan to install the Cook-N-Dine grill into a stone counter-top, please talk to your supplier/installer about it. Only an experienced stone professional will be able to advise on any installation aspects to watch out for, e.g. on how much counter-top "meat" is needed at the narrowest side to accommodate and secure the CND cook top unit properly.

▶▶ CAUTION: DO NOT SNAP, PULL or TWIST THE CONDUIT DURING INSTALLATION !!!
Warranty will expire if capillary tube inside the conduit is damaged during installation.
Control box must be firmly fastened to a non-moving surface.